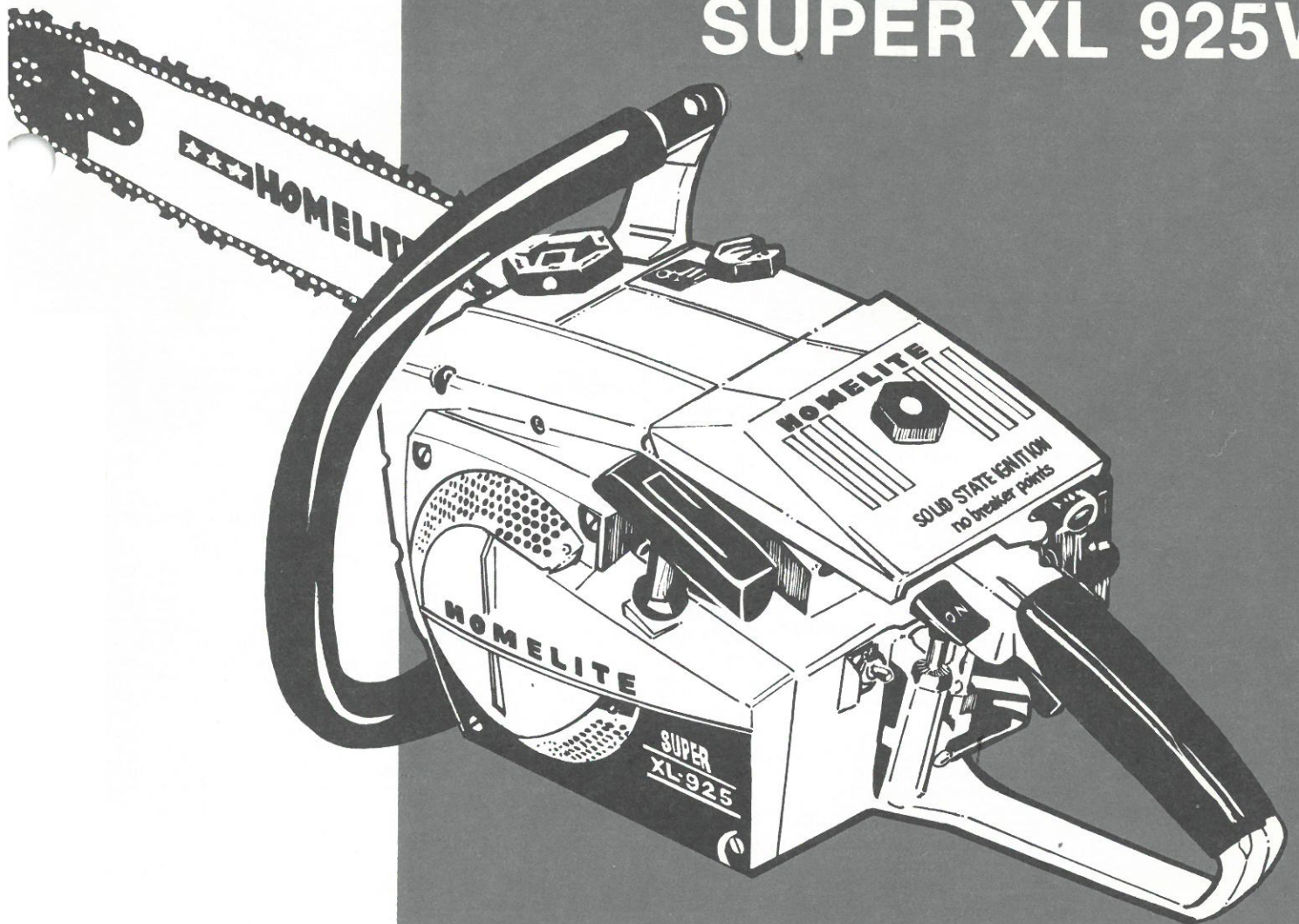


PART NO. 24831 REV. 3
PRINTED IN U.S.A.
PRICE .25

PARTS LIST

HOMELITE
SUPER XL 925
and

SUPER XL 925W

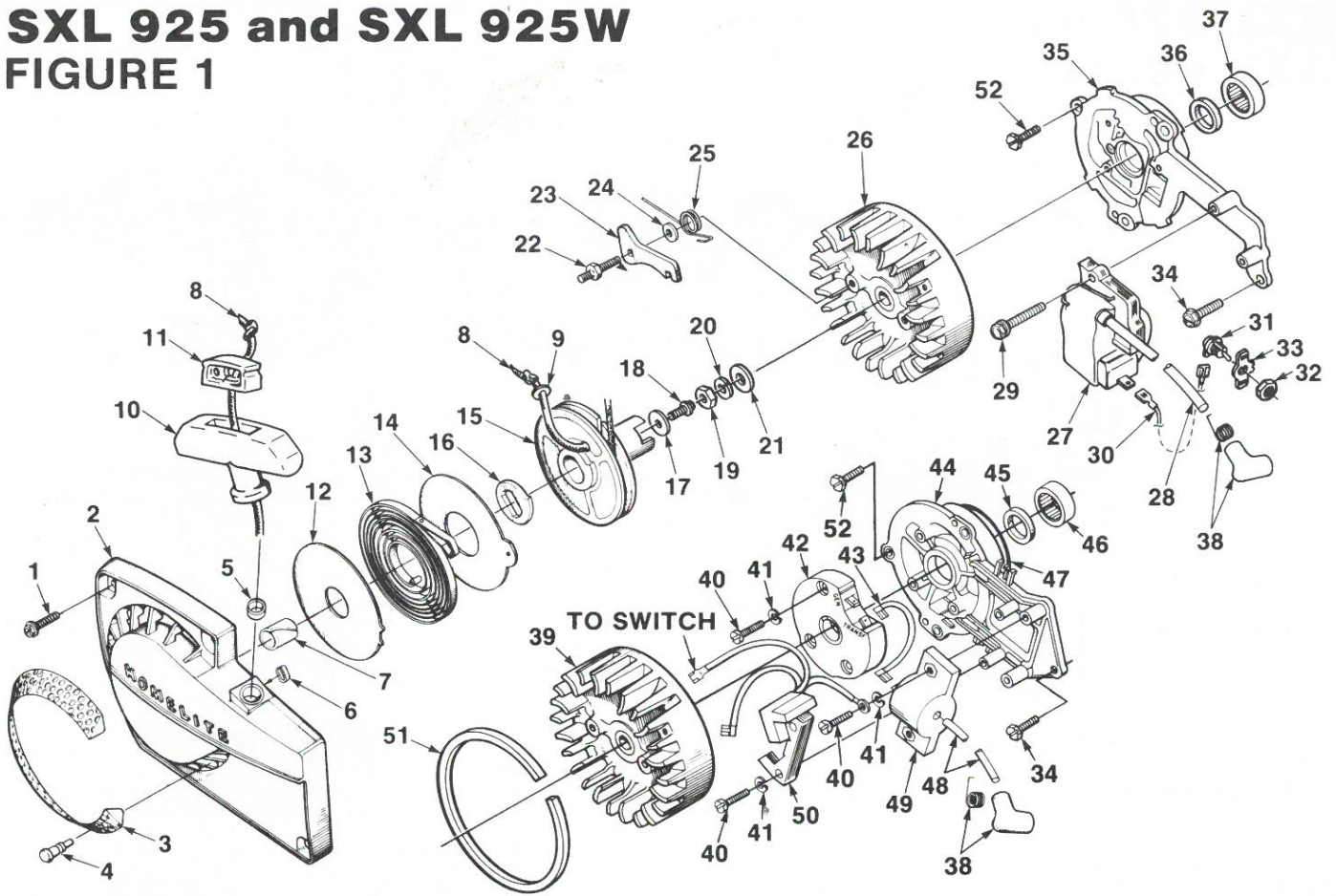


HOMELITE **TEXTRON**

Homelite Division of Textron Inc.

SXL 925 and SXL 925W

FIGURE 1



NO. DESCRIPTION

1	SCREW- Hex hd. 12-24 x 5/8
2	HOUSING- Fan Includes: 3 SCREEN- Fan housing 4 STUD- Drive 5 BUSHING- Starter rope 6 BUSHING- Starter post 7 BUSHING- Rewind spring
8	ROPE- Starting Includes: 9 WASHER 10 GRIP- Starting rope Includes: 11 INSERT- Rope retaining 12 SHIELD- Spring (inner) 13 SPRING- Rewind 14 SHIELD- Spring (outer) 15 PULLEY- Rewind starter Includes: 16 LOCK- Rewind spring
17	WASHER- Retaining
18	SCREW- Hex hd. 10-32 x 1/2
19	NUT- Hex 3/8-24
20	WASHER- Lock 3/8
21	WASHER- Flat 3/8
22	STUD- Pawl
23	PAWL- Starter
24	WASHER- Lock #12
25	SPRING- Starter pawl
26	ROTOR- Magneto

PART NO. QTY.

80676	4
A-64504-C	1
A-64421	1
67191	4
67177	1
64443	1
65830	1
A-93875	1
93862	1
A-69962-B	1
70018-A	1
63566	1
63268-A	1
63565-A	1
A-64446	1
94827	1
58763	1
80648	1
81124	1
83102	1
84010	1
58757-E	2
58756	2
70901	2
65375-2	2
96801	1

NO. DESCRIPTION

27	MODULE- ignition Includes: 28 LEAD- High tension 29 SCREW- Sems hex hd. 30 LEAD- Ground 31 SWITCH- Toggle Includes: 32 NUT 33 PLATE- Indicating 34 SCREW- 1/4-20 35 PLATE- Back Includes: 36 SEAL 37 BEARING 38 TERMINAL- Spark plug
39	ROTOR- Magneto (prior to lot #C-246)
40	SCREW- Pan 8-32 x 3/4 (prior to lot #C-246)
41	WASHER- Lock #8 (prior to lot #C-246)
42	MODULE- Ignition (prior to lot #C-246)
43	LEAD- Transformer (prior to lot #C-246)
44	PLATE- Back (prior to lot #C-246) Includes: 45 SEAL 46 BEARING- Roller 47 "O" RING
48	LEAD- High tension (prior to lot #C-246)
49	COIL- Transformer (prior to lot #C-246)
50	COIL- Core and generator (prior to lot #C-246)
51	RING- Air flow (until lot #7045 only)
52	SCREW- Hex cap 1/4-20 x 5/8

PART NO. QTY.

A-96798	1
96743	1
88044	2
A-94850	1
A-57650-3A	1
72084-A1	1
12793-A	1
80218-1	1
A-96799	1
12282-A	1
63195	1
A-33055	1
67165	1
82178	7
83022	7
67162	1
67167	1
A-67618-A	1
12282-A	1
63195	1
67559	1
67166	1
67164-A	1
67163	1
67409	1
80048	3

ALWAYS FURNISH MODEL AND SERIAL NUMBER WHEN ORDERING PARTS.

SXL 925 and SXL 925W

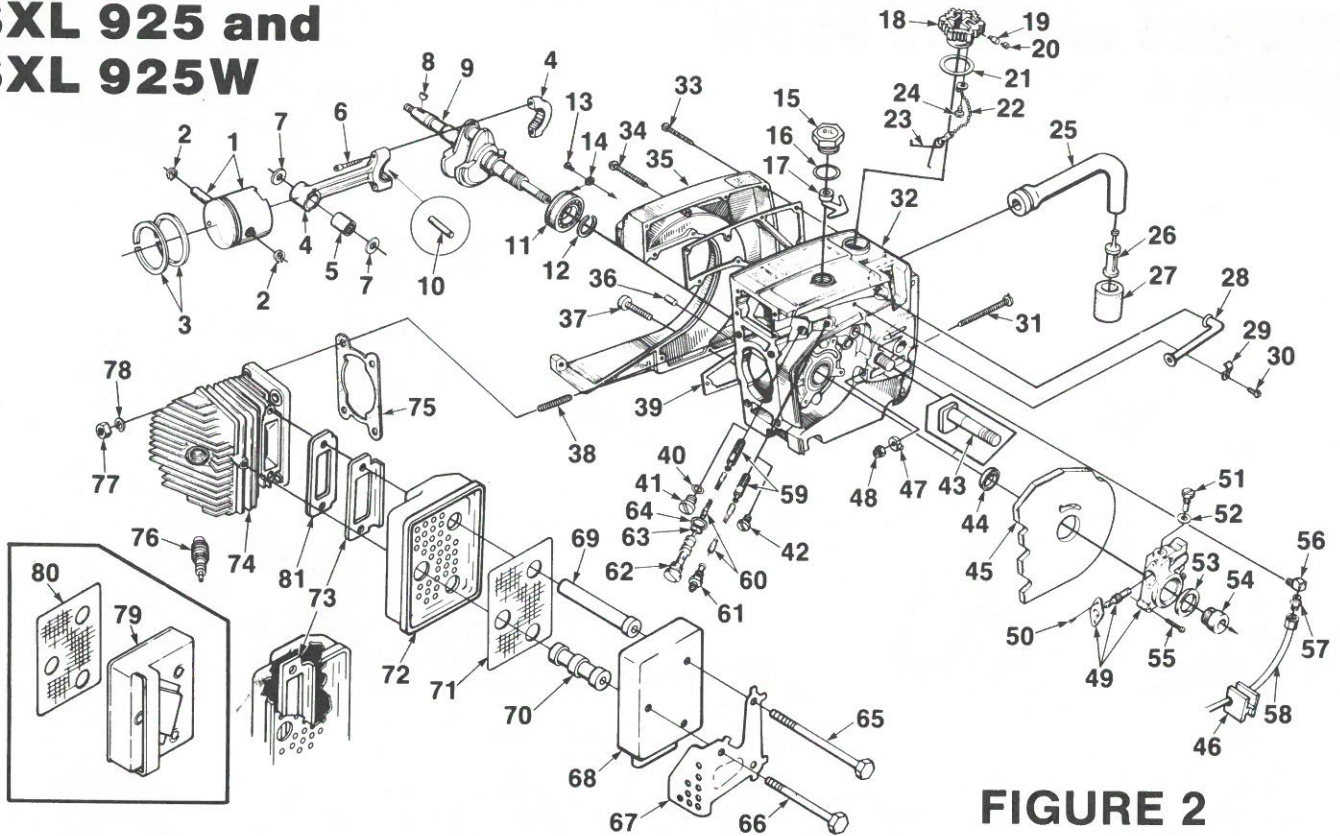


FIGURE 2

NO.	DESCRIPTION	PART NO.	QTY.	NO.	DESCRIPTION	PART NO.	QTY.
1	PISTON & PIN Includes:	A-69467	1	44	SEAL	12282-A	1
2	RING- Piston pin retaining	64742	2	45	SHIELD- Sawdust	A-64715	1
3	PISTON RING	69452	2	46	GROMMET- Oil line	65357	1
4	ROD- Connecting Includes:	A-69658-A	1	47	PIN- Guide bar adjusting	93039	1
5	BEARING- Needle	69638	1	48	NUT- Gripco	81204	1
6	SCREW- Soc. hd. 8-32 x 9/16	69919	2	49	PUMP- Automatic oil Includes:	A-68265-A	1
7	WASHER- Thrust	68010	2	50	SCREW- Pan hd. 4-40 x 1/4	80919	2
8	KEY- Woodruff	75078	1	51	SCREW- Cam	64102-A	1
9	CRANKSHAFT	67168-1	1	52	GASKET- Cam screw	59736	1
10	BEARING- Needle (set of 28)	A-69056	1	53	SEAL- Felt	59926	1
11	BEARING- Ball	58190-S	1	54	WORM- Gear	59675	1
12	RING- Retaining	58319-A	1	55	SCREW- Fil hd., 8-32 x 3/4	82248	3
13	SCREW- Bearing retaining	70306	2	56	CONNECTOR- Elbow	31734	1
14	WASHER- Lock	59705	2	57	FITTING- Tube	65696	1
15	CAP- Oil filler Includes:	A-65284-B	1	58	LINE- Oil (discharge)	A-65682	1
16	GASKET- Oil cap	69834	1	59	FILTER- Oil	A-64293	2
17	RETAINER	68750	1	60	LINE- Oil pick-up	64356	2
18	CAP- Fuel filler Includes:	A-69500-A	1	61	CONNECTOR- Oil filter	65695	1
19	VALVE- Check (oval duckbill)	69451	1	62	TUBE- Oil line	63452-A	1
20	FILTER- Filler cap	69454	1	63	"O" RING	58406	1
21	GASKET- Fuel cap	69501	1	64	GASKET- Oil line tube	63751	1
22	CHAIN- Bead	69502	1	65	MUFFLER- Downdraft (complete) Includes:	A-69864-C	1
23	RETAINER	69503	1	66	SCREW- Hex hd. cap 1/4-20 x 3	82280	2
24	SCREW- Pan hd., plastite 6 x 1/4	82256	1	67	SHIELD- muffler	69842	1
25	LINE- Fuel	65593-A	1	68	CAP- Muffler (SXL-925)	A-69836-1	1
26	FILTER- Fuel Includes:	A-69923	1	69	SUPPORT- Muffler (long)	69843	2
27	FILTER- Felt	64083	1	70	SUPPORT- Muffler (short)	69844	1
28	CONNECTOR- Fuel line	67080	1	71	SCREEN- Spark arrestor	A-93900-A	1
29	CLAMP- Fuel line	65597-1	1	72	BODY- Muffler	A-69838-1	1
30	SCREW- Pan hd 6-32 x 5/16	80605	1	73	PLATE- Muffler body	69839	1
31	SCREW- Guide bar adjusting	63367	1	74	CYLINDER- 2 1/16" bore Includes:	A-42206-A	1
32	CRANKCASE Includes:	A-68023-B	1	75	GASKET- Cylinder	63778-1	1
33	GASKET- Check valve (not shown)	65144	1	76	SCREW- Hex hd. cap 1/4-20 x 5/8 (not shown)	80402	3
34	SCREW- fil hd., 8-32 x 5/8	82358	6	77	SPARK PLUG- CJ-6Y Champion (after Lot #C-246)	93561-S	1
35	SCREW- Fil. hd., 8-32 x 2 3/16	95725	8	78	SPARK PLUG- C-J6 Champion (prior to Lot #C-246)	63547-S	1
36	COVER- Fuel tank	67153-2	1	79	SPARK PLUG- C-J4 Champion (opt.) (colder plug)	69027-S	1
37	PIN- Dowel	63621	1	80	NUT- Hex 1/4-28	81065-2	4
38	SCREW- Fil hd., 8-32 x 1 3/4	82147	1	81	WASHER- Lock, 1/4	83009	4
39	STUD	55871	4		KIT- Muffler temperature ("SXL-925W")	A-94119	1
40	GASKET- Fuel tank	67159	1		Includes:		
41	WASHER	58138	1		SPARK ARRESTOR	A-93900-A	1
42	CAP- Oil pump	63115	1		GASKET- Muffler	78098	1
43	PLUG- Pipe	28097	1				
44	BOLT- Guide bar	67158	2				

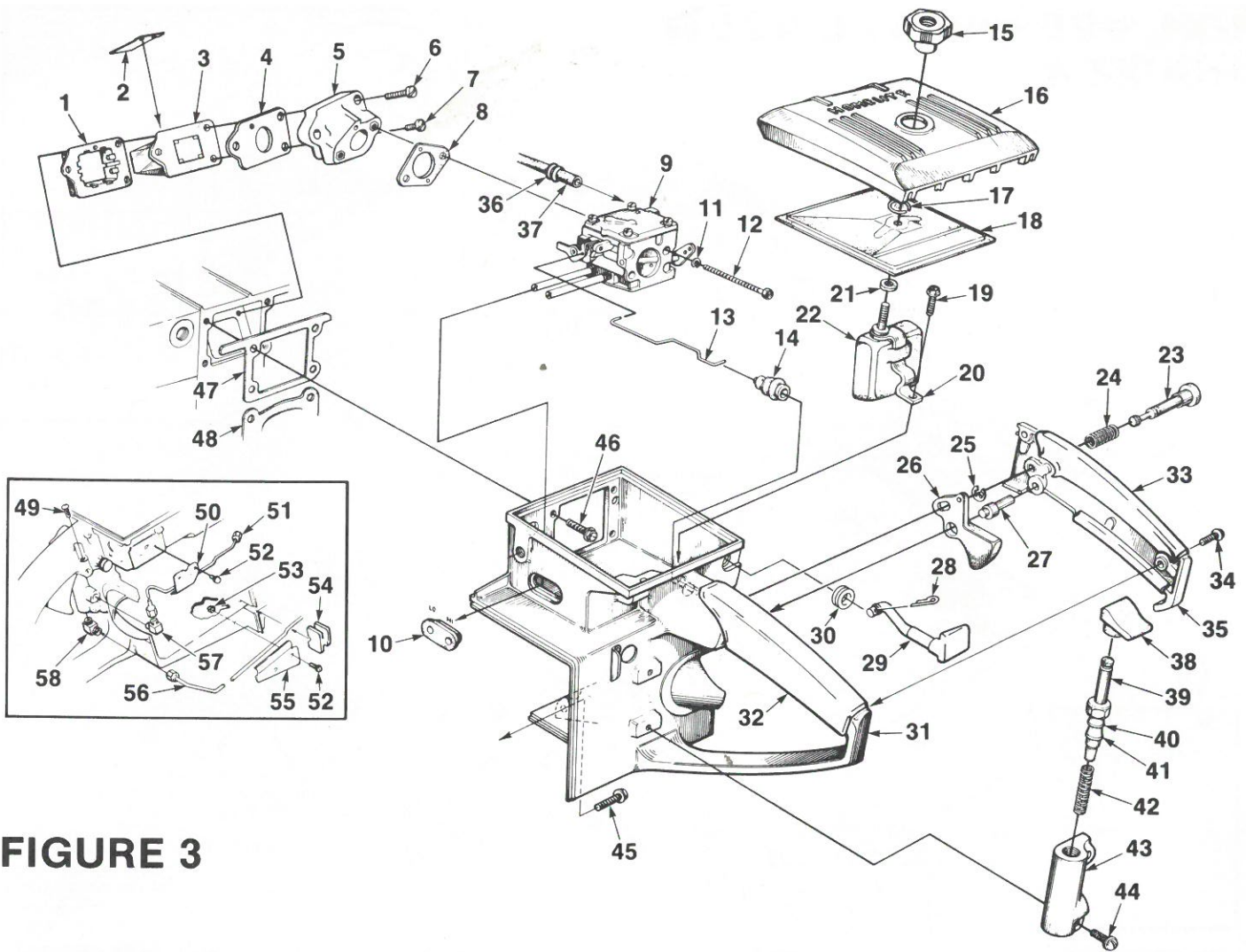


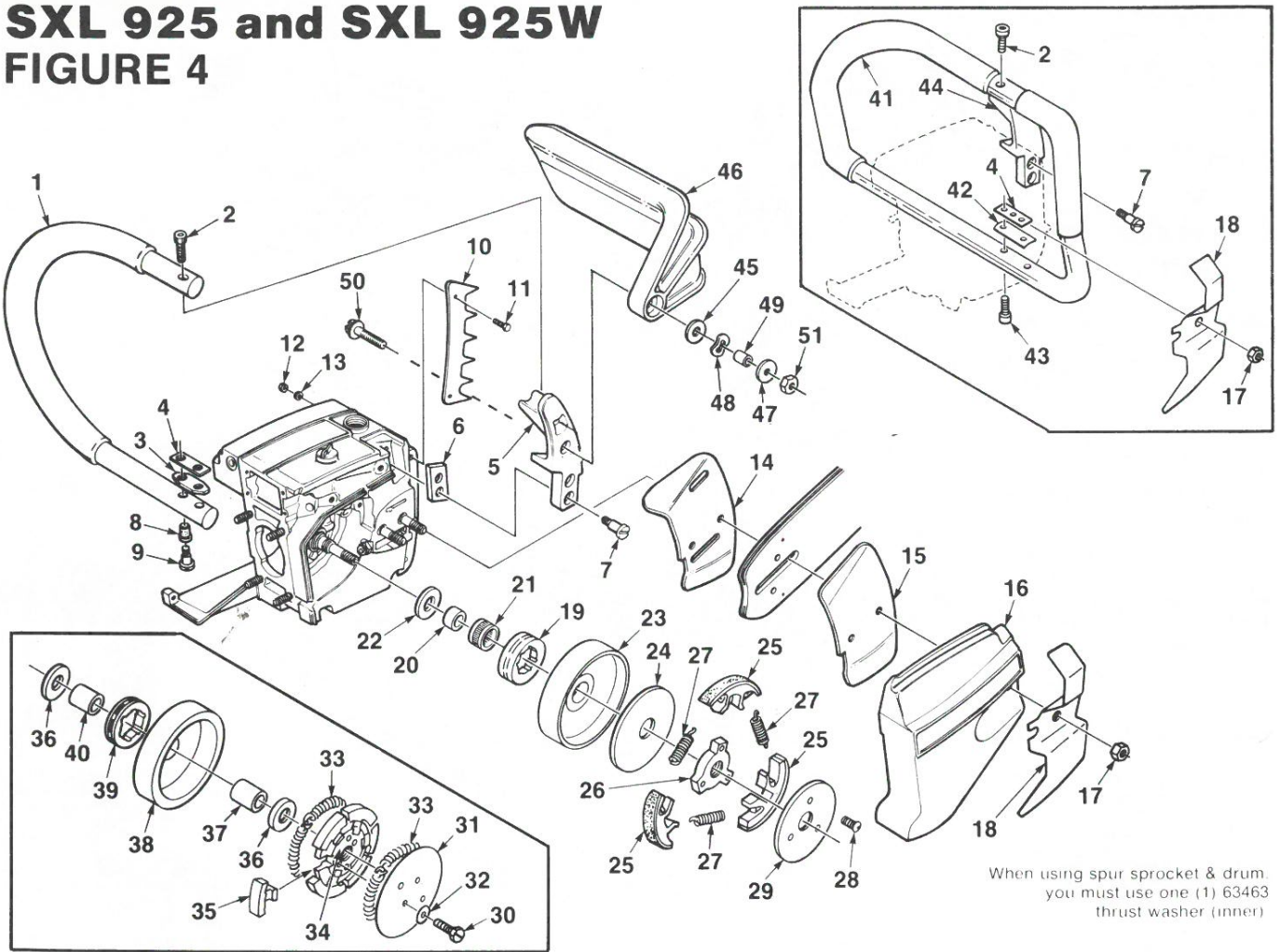
FIGURE 3

NO.	DESCRIPTION	PART NO.	QTY.	NO.	DESCRIPTION	PART NO.	QTY.
1	RETAINER- Reed valve	63370-A	1	32	GRIP- Throttle handle	68767	1
2	VALVE- Reed	63166-A	4	33	GRIP- Throttle handle cover	68768	1
3	SEAT- Reed valve	63371-B	1	34	SCREW- Pan hd. 8-32 x 1/2	80560	2
4	GASKET- Reed valve seat	65483	1	35	COVER- Throttle handle	A-69045	1
5	MANIFOLD- Intake	A-67460-1	1		Includes:		
6	SCREW- Pan hd., 8-32 x 1 1/4	82174	2		BUSHING- Nylon (not shown)	59064	1
7	SCREW- Pan hd., 8-32 x 1	82173	1	36	GROMMET- Fuel line	68046	1
8	GASKET- Carburetor	67540	1	37	LINE- Fuel	65718-B	1
9	CARBURETOR	A-69812-A	1	38	BUTTON- Oil pump plunger	63622	1
	Includes:			39	PLUNGER- Oil pump	A-57834-16	1
10	GROMMET- "Hi-Lo"	69751	1		Includes:		
11	WASHER- Lock #10	83046	2	40	"O" RING- Shaft	59074	1
12	SCREW- Hex hd., 10-32 x 1 7/8	82179	2	41	"O" RING- Plunger	74388	1
13	ROD- Throttle	63266-A	1	42	SPRING- Compression	59293	1
14	BOOT- Throttle rod	58348	1	43	BODY- Oil pump	63343-5	1
15	NUT- Cover mounting	A-67639	1	44	SCREW- Hex hd. 3-32 x 7/8	80568	2
16	COVER- Air filter element	A-69414-2	1	45	SCREW- Hex hd., 12-24 x 7/8	80891	1
17	RING- Retaining	58319-A	1	46	SCREW- Hex hd., 12-24 x 5/8	80676	4
18	FILTER ELEMENT- Air	69880	1	47	GASKET- Throttle handle	63779-C	1
19	SCREW- Hex hd. 12-24 x 1/2	80821	1	48	GASKET- Cylinder (Fig. 2)	63778-1	1
20	BRACKET- Air filter	A-67101-A	1	49	SCREW- Fil hd. 8-32 x 5/8	80023-2	1
	Includes:			50	CLAMP- Oil line	65660-1	1
21	GASKET- Mounting nut	58392-1	1	51	LINE- Oil (intake)	A-65705	1
22	DEFLECTOR- Air	70189	1	52	SCREW- Pan hd. 6-32 x 3/8	80571	4
23	PIN- Throttle latch	95671	1	53	NUT- Lock 6-32	81126	2
24	SPRING- Throttle latch	58405	1	54	GROMMET- Oil line	65357	1
25	RING- Retaining	58409	1	55	CLAMP- Oil line	65513-1	1
26	TRIGGER- Throttle	65745	1	56	LINE- Oil (discharge)	A-65682	1
27	PIN- Throttle latch adjusting	65719	1	57	VALVE- Check	A-65502	1
28	PIN- Cotter	86324	1		Includes:		
29	ROD- Choke	A-68429	1		BALL- (not shown)	25527	1
	Includes:			58	VALVE- Check	A-65515	1
30	GROMMET	64862	1		Includes:		
31	HANDLE- Throttle	A-68025-D	1		BALL- (not shown)	25527	1
	Includes:				SPRING- (not shown)	59022	1
	BUSHING (not shown)	68445	1				

ALWAYS FURNISH MODEL AND SERIAL NUMBER WHEN ORDERING PARTS.

SXL 925 and SXL 925W

FIGURE 4



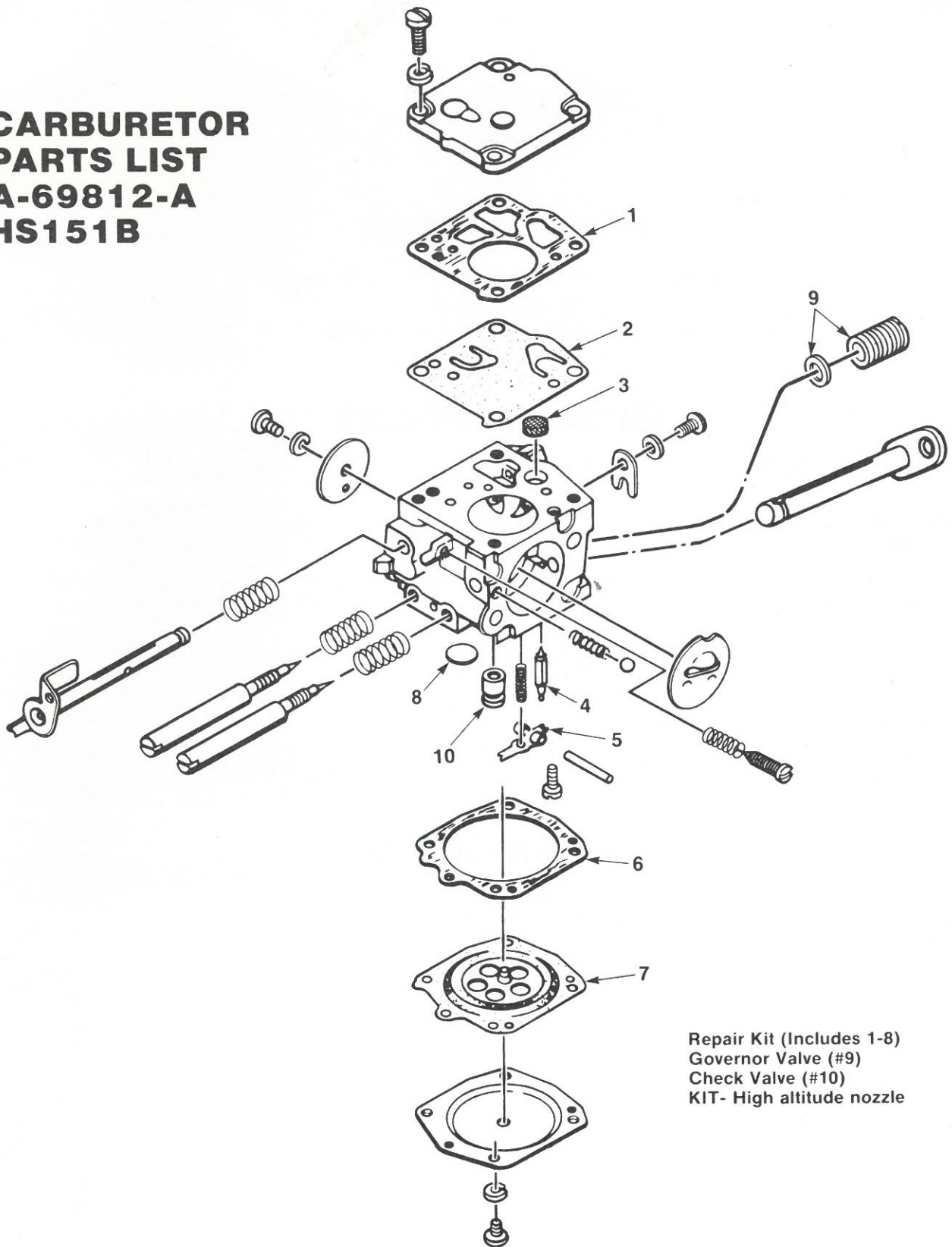
When using spur sprocket & drum
you must use one (1) 63463
thrust washer (inner)

NO.	DESCRIPTION	PART NO.	QTY.	NO.	DESCRIPTION	PART NO.	QTY.
1	HANDLE BAR- Flush cut (rubber cover)	A-69034	1	29	COVER- Clutch	93628	1
2	SCREW- Fil hd., 1/4-20 x 1	82259	1	30	SCREW- Hex hd., 10-32 x 1/2 (opt.)	80361-2	2
3	SPACER- Handle bar	68765	1	31	COVER- Clutch (opt.)	A-24921-A	1
4	PLATE- Handle bar	65599	1		Includes:		
5	BRACKET- Handle bar (flush cut)	A-70289-A	1	32	WASHER- Belleville	12940	2
	Includes:			33	SPRING- Clutch (opt.)	67441	2
6	PLATE- Handle bar bracket	65598-A	1	34	SPIDER- Clutch (opt.)	65723-2A	1
7	SCREW- 12-24 x 3/4	80867	2	35	SHOE- Clutch (opt.)	69754-1	6
8	GROMMET- Handle bar	65518	2	36	WASHER- Thrust	63462	2
9	SCREW- Shoulder	65520	2	37	BEARING- Roller	64124	1
10	KIT- Spiked bumper	A-63720	1	38	DRUM & HUB- Rim type (opt.)	A-65990	1
	Includes:			39	SPROCKET- 3.8 pitch, 7 tooth (opt.)	63284	1
11	SCREW- Hex hd., 12-24 x 3/4	80867	2	40	RACE- Inner	63285	1
12	NUT- 12-24	81068	2		404 pitch 7 tooth (opt.)	64129-A	1
13	WASHER- Lock #12	83056	2	41	KIT- Handle - wrap-around (SXL-925W)	A-94153	1
	GUIDE BAR PLATE	A-70618	1		Includes:		
	Includes:			42	HANDLE BAR	A-78457	1
14	PLATE- Guide bar (inner)	70399	1		CHAIN GUARD (See index #18)	68078-1	1
15	PLATE- Guide bar (outer)	70400	1	43	SPACER	68898-1	1
16	COVER- Drivecase	67156-14	1		PLATE (see index #4)	65599	1
17	NUT- Hex 3/8-16	81089-2	2	44	SCREW- 1 1/4-20 x 1.125	78117	2
18	GUARD- Chain (SXL-925W)	68078-1	1		BRACKET- Handle bar	A-70194-A	1
19	SPROCKET- 7 spline				Includes:		
	7T-3/8 pitch 3 shoe clutch (SXL-925W)	63284	1	45	SCREW- 12-24 x 3/4 (see index #7)	80867	2
20	RACE- Inner	64129-A	1		PLATE- Handle bar bracket (see index #6)	65598-A	1
21	BEARING- Roller	64124	1	46	WASHER	84065-1	1
22	WASHER- Thrust (inner)			47	HAND GUARD	95898	1
	(for rim sprocket only)	63462	1	48	WASHER	95935	1
	WASHER- Thrust (inner)			49	WASHER	96757	1
	(for spur sprocket & drum)	63463	1	50	SPACER	95937	1
23	DRUM & HUB (SXL-925W)	A-94117	1	51	SCREW- Flat hd., 12-24 x 1	80945	1
	SPROCKET & DRUM				NUT- Lock	81225	1
	(for 3 shoe clutch) 3/8 7 tooth	A-95631	1		ACCESSORY SPROCKETS		
24	WASHER- Thrust	93650	1		SPROCKET & DRUM 404 7 tooth	A-65886	
25	SHOE- Clutch	A-94126	3		SPROCKET & DRUM 3 8 7 tooth	A-95620	
26	SPIDER- Clutch	93811	1		SPROCKET & DRUM 3 8 8 tooth	A-65732	
27	SPRING- Clutch	93814-A	3				
28	SCREW- Torx	93126	3				
	SCREW- Mach. pan. hd. 8-32 x 3/8" (alternate)	82253	3				

NOTE: Use index #s 46-49 for units prior to Lot #C-147.

ALWAYS FURNISH MODEL AND SERIAL NUMBER WHEN ORDERING PARTS.

**CARBURETOR
PARTS LIST
A-69812-A
HS151B**



Repair Kit (Includes 1-8)
Governor Valve (#9)
Check Valve (#10)
KIT- High altitude nozzle

95698
70334
69793
A-69819

ALWAYS FURNISH MODEL AND SERIAL NUMBER WHEN ORDERING PARTS.

TOOLS

WRENCH- Spanner (3-shoe)	A-17146
WRENCH- Spanner (6-shoe)	A-23696-A
Includes:	
PIN- Spanner clutch	23717-A
BIT- Driver torx (clutch plate) 1/4 shank	24982-01
BIT- Driver torx (clutch plate) 5/16 shank	24982-02
ANVIL- Bearing disassembling (back plate)	23846-2
BIT- Pozidriv #2	24304
COLLAR- Bearing installation	22820-4
JACKSCREW- Crankshaft	A-23965
Includes:	
WASHER	84035
JACKSCREW- Bearing removal (back plate)	A-23962
PLATE- Crankshaft aligning	24006-1
PLUG- Bearing and seal installation (back plate)	23956
PLUG- Bearing installation	23420
PLUG- Bearing installation (conn. rod)	23955
PLUG- Seal installation (back plate)	24302
PLUG- Seal installation (crankcase)	23957
PULLER- rotor	A-24290
SHIM- Air gap (black)	24306
SLEEVE- Bearing and shaft installation	23136-2A
SLEEVE- Seal installation (crankcase)	23972
SLEEVE- Seal protection (crankcase)	23971
WRENCH- Combination	A-22808
WRENCH- Hex socket (conn. rod)	23528
WRENCH- Spark plug removal	24094
PULLER- Back plate	A-94147
Includes:	
SCREW- Hex cap (1)	80095
NUT- Hex (3)	81009

ACCESSORIES

LOCTITE	23488-B
REEL- 250 ft. starting rope #5	57084-1
KIT- Clutch conversion (3-shoe)	A-94156-A
KIT- Chain brake	A-93680
Includes:	
COVER- Drivecase	70361-2
SPRING	70093-B
WASHER	12290
BAND- Brake	70346
LEVER- Brake band	12372-3
PIN- Roll	67911
SCREW	78200-A
SCREW- Pan hd. 1/4-20 x 5/8	82258
BRAKE- Lever w/guard	A-12952
SCREW	12955
NUT	81204
DECAL	78290
SPROCKET & DRUM	A-95620
BRACKET	A-93682
RETAINER	93684
SCREW- Fil. hd. 8-32 x 7/8	80220-2
SAFE•T•TIP (Standard on units)	A-70790-A
Includes:	
SCREW	82335